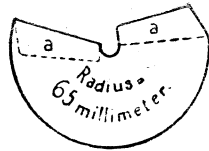
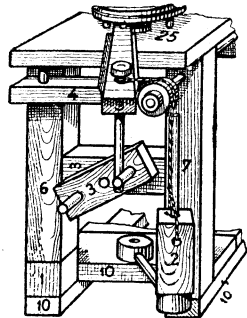


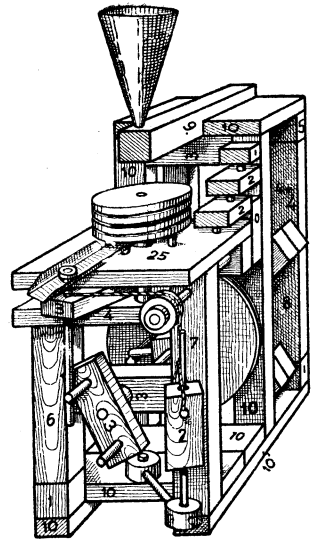
373/2



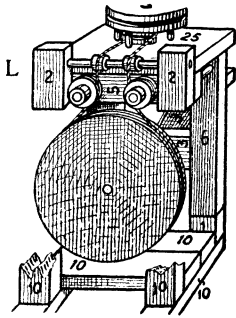
373/9



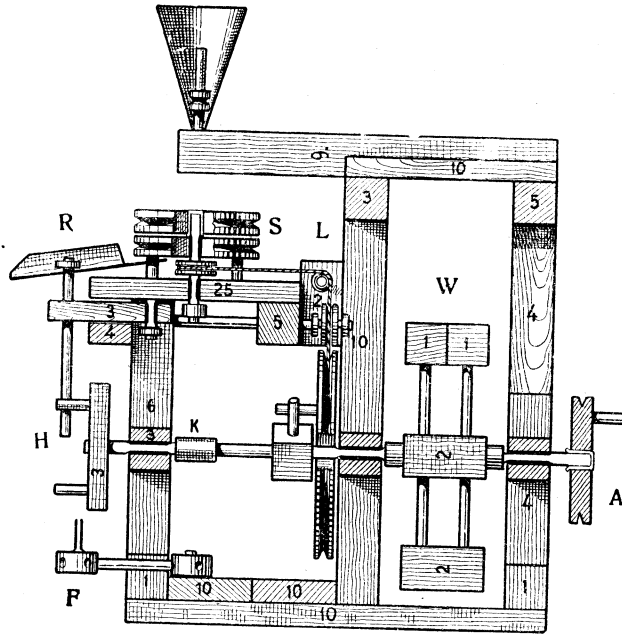
373/3 F



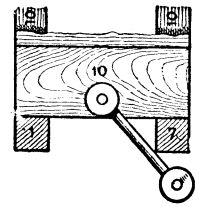
373



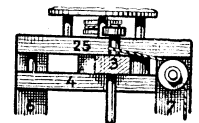
373/5



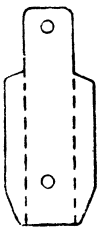
373/4



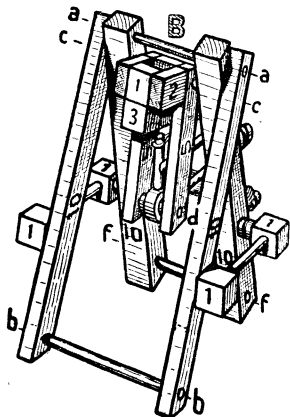
373.6



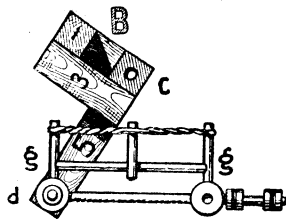
373/7



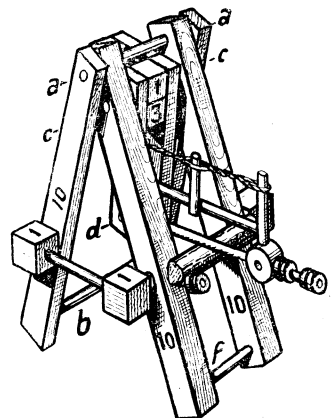
373/8



246/2



246/3



246