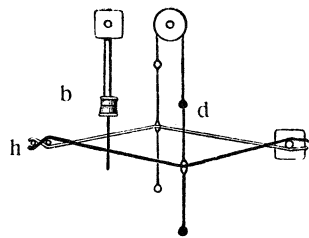
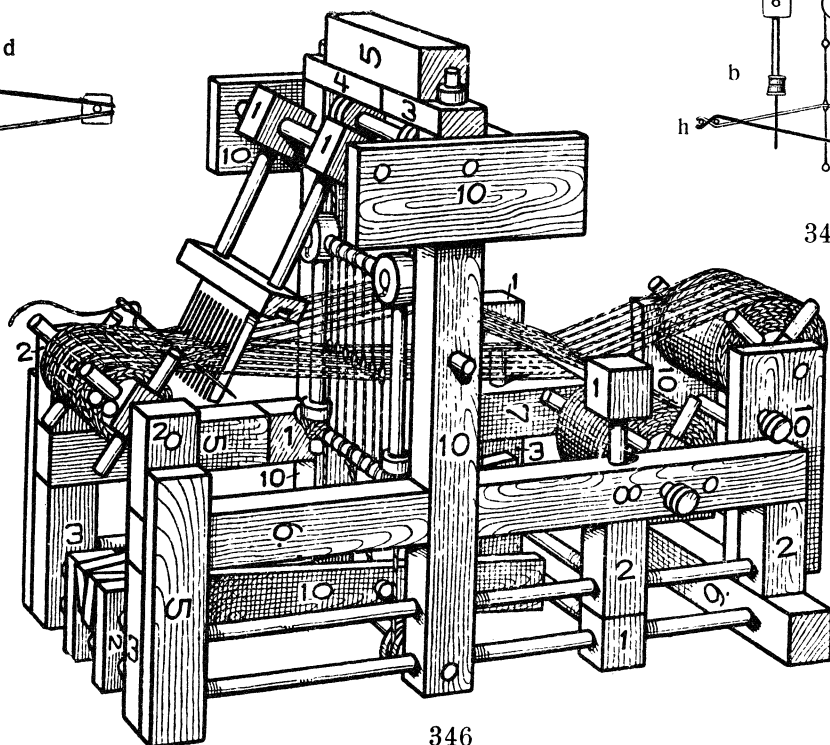


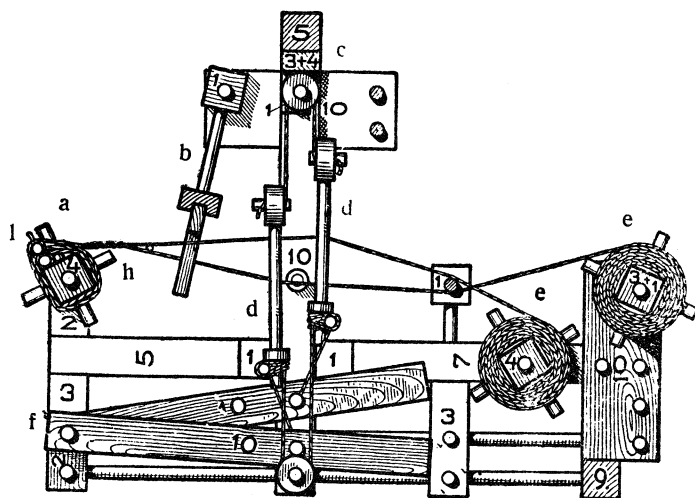
346/7



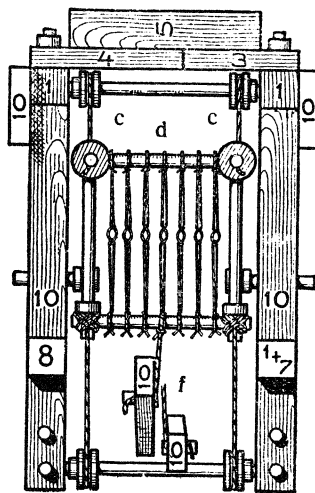
346/8



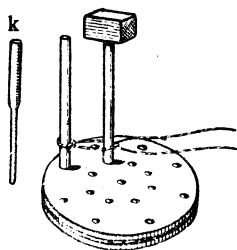
346



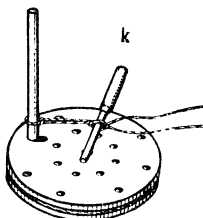
g 346/2



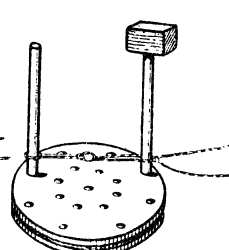
g 346/3 g



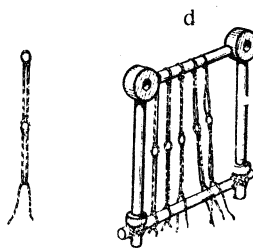
346/4



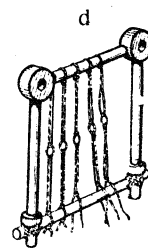
346/5



346/6



346/7



346/8