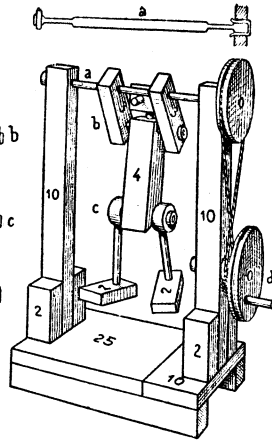
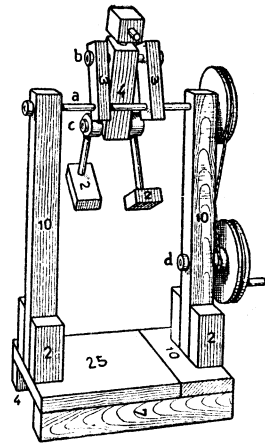


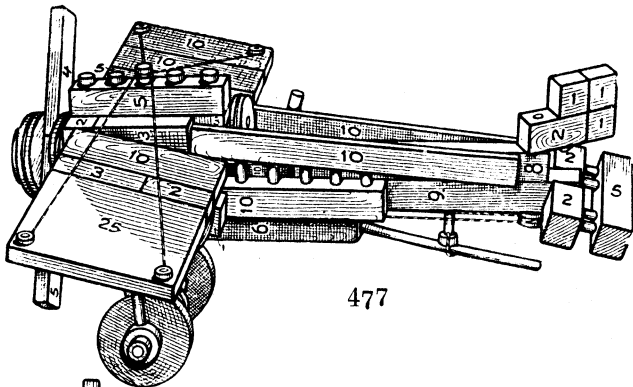
375



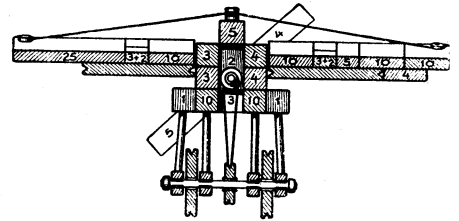
375/2



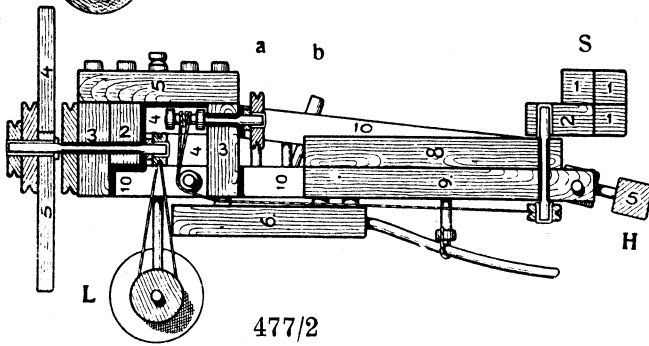
375/3



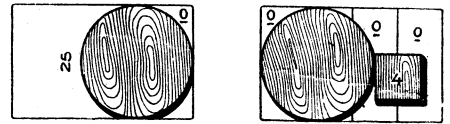
477



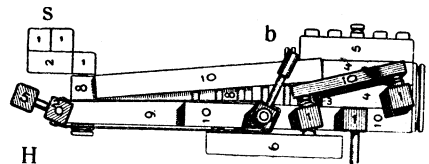
477/3



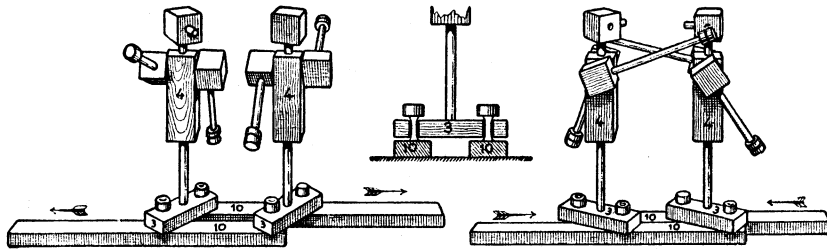
477/2



477/4



477/5



377